

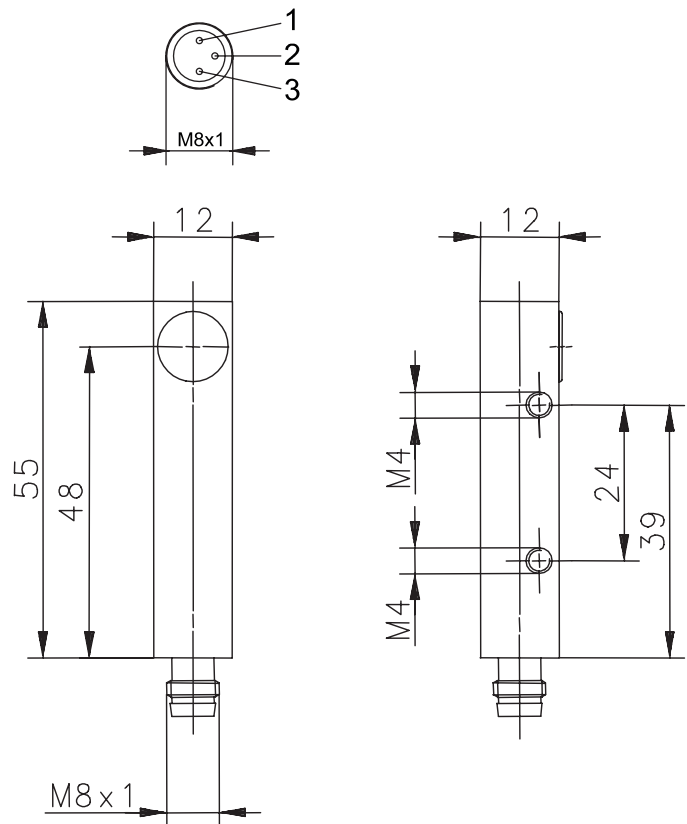
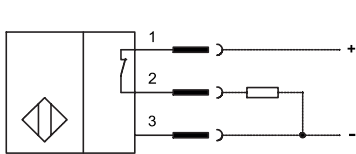
Photoelectric Sensors

Series OR12

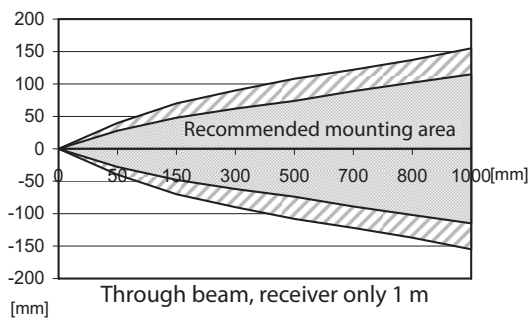
Description **OR12EE-DDTP-01.0-SL**

Article number **6551755002**

Wiring Diagram



Sensing range



Identifying characteristics in accordance with EN 60947-5-2

| Electrical data | | |
|----------------------------------|-----------|--|
| Sensing range | S_d | EE 1 m |
| Switching element function | | PNP - dark activation, permanent overload protection |
| Repeat accuracy | R | 10 % |
| Differential travel (hysteresis) | H | 20 % |
| Rated operational voltage | U_e | 12-24 V DC |
| Operational voltage range | U_B | 10-36 V DC |
| Rated insulation voltage | U_i | 75 V DC |
| Rated impulse withstand voltage | U_{imp} | 500 V |
| Voltage drop | U_d | < 1,8 V |
| Utilization category | | DC-13 |
| Rated operational current | I_e | 50 mA |
| Minimum operational current | I_m | ≤ 1 mA |
| Off-state current | I_r | ≤ 0,1 mA |
| No-load supply current | I_o | ≤ 10 mA |
| Max. rated output current | | 200 mA |
| Ambient light proof | | 5 kLux |
| Short-circuit protection | | pulsed |
| Frequency of operating cycles | f | 100 Hz |
| False polarity protection | | yes |
| Time delay before availability | t_v | < 15 ms |
| Turn on time | t_{on} | < 5 ms |

| Mechanical Data | |
|-------------------------|--|
| Enclosure | brass, nickel plated |
| Beam-output | PA 12 |
| Ambient air temperature | -5 °C ... +70 °C |
| Type of protection | IP65 (only in fully snapped-in position with it's plugs) |
| Pollution degree | 3 (Pollution of the optic can cause impairments of the operating distances.) |
| Indication | LED yellow |
| Termination type | Plug-in connection |

| EU Conformity |
|--|
| acc. to directive 2014/30/EU (EMC-Directive) |